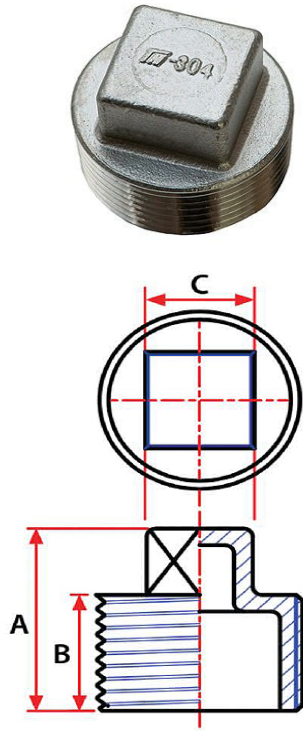


MSS-SP114 HEAVY PATTERN STAINLESS STEEL PIPE FITTINGS SQUARE HEAD PLUGS



304 SS	316 SS	Size	Weight (LBS)	A	B	C
BF4381064340	BF4381069040	1/8"	0.02	0.58	0.36	0.27
BF4381064380	BF4381069080	1/4"	0.03	0.69	0.42	0.36
BF4381064420	BF4381069120	3/8"	0.06	0.76	0.46	0.42
BF4381063980	BF4381068680	1/2"	0.07	0.90	0.54	0.54
BF4381064020	BF4381068720	3/4"	0.11	1.02	0.60	0.60
BF4381064060	BF4381068760	1"	0.20	1.19	0.72	0.78
BF4381064100	BF4381068800	1-1/4"	0.29	1.30	0.77	0.90
BF4381064140	BF4381068840	1-1/2"	0.37	1.38	0.79	1.07
BF4381064180	BF4381068880	2"	0.61	1.49	0.84	1.26
BF4381064220	BF4381068920	2-1/2"	1.05	1.72	1.02	1.43
BF4381064260	BF4381068960	3"	1.62	1.84	1.08	1.62
BF4381064300	BF4381069000	4"	2.86	2.11	1.16	2.14

MSS SP-114 HEAVY PATTERN STAINLESS STEEL PIPE FITTINGS

Stainless steel MSS-SP114 heavy pattern fittings are investment castings.
 Available in a full range from 1/8" to 4" in both 304 and 316 grades of stainless steel.
 All fittings are threaded to NPT standard in compliance to ASME B1.20.
 Castings are made in accordance to ASTM 351 and heat treated and tested in accordance to ASTM A262

OEMS AND MANUFACTURERS TRUST BFO TO KEEP YOUR OPERATION FLOWING SMOOTHLY

BUYFITTINGSONLINE.COM | 1.800.569.0810 | BFO@QMCTECHNOLOGIES.COM