

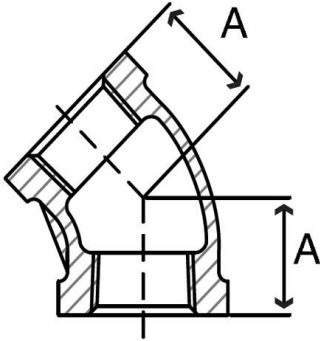


HEAVY PATTERN 150# CAST THREADED STAINLESS STEEL PIPE FITTINGS

Specifications:

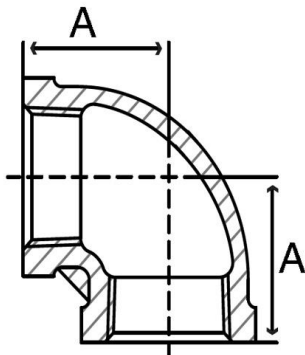
- Use with air, water, oil, natural gas, steam
- NPT and FNPT threads conform to ASME B1.20.1
- Maximum Pressure: 300 psi @ 72° F
- Maximum Steam Pressure: 150 psi @ 366° F
- Stainless castings conform to ASTM A351 ACI Grade CF8 (304) & ACI Grade CF8M (316)
- Manufacturing facility is ISO 9001:2008
- Quality guarantee on all pipe fittings
- For Use with Schedule 40 Pipe Nipples and 150# Flanges

45° Elbows - 150# Threaded Pipe Fittings - Cast



Size (inches)	A	Weight (lbs)	304SS	316SS
1/8"	0.73	0.07	5-A	22-M
1/4"	0.75	0.07	5-B	22-N
3/8"	0.75	0.11	5-C	22-O
1/2"	0.87	0.22	5-D	22-P
3/4"	0.91	0.34	5-E	22-Q
1"	1.1	0.53	5-F	22-R
1-1/4"	1.26	0.66	5-G	22-S
1-1/2"	1.38	0.93	5-H	22-T
2"	1.65	1.34	5-I	22-U
2-1/2"	1.85	2.87	5-J	22-V
3"	2.05	3.93	5-K	22-W
4"	2.6	5.91	5-L	22-X

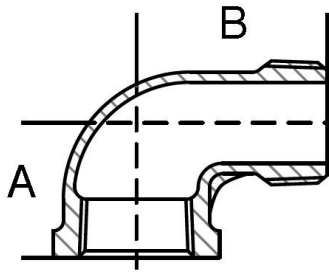
90° Elbows - 150# Threaded Pipe Fittings - Cast



Size (inches)	A	Weight (lbs)	304SS	316SS
1/8"	0.71	0.05	1-A	18-M
1/4"	0.77	0.08	1-B	18-N
3/8"	0.94	0.12	1-C	18-O
1/2"	1.16	0.19	1-D	18-P
3/4"	1.26	0.3	1-E	18-Q
1"	1.44	0.52	1-F	18-R
1-1/4"	1.73	0.71	1-G	18-S
1-1/2"	1.91	1.07	1-H	18-T
2"	2.24	1.45	1-I	18-U
2-1/2"	2.7	3.26	1-J	18-V
3"	3.09	4.66	1-K	18-W
4"	3.82	7.05	1-L	18-X

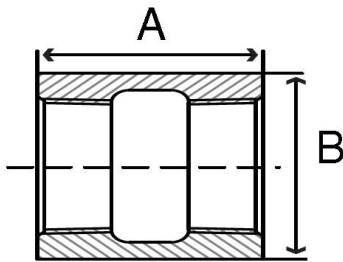
**All dimensions are for reference only and subject to change.

90° Street Elbows - 150# Threaded Pipe Fittings - Cast



Size (inches)	A	B	Weight (lbs)	304SS	316SS
1/8"	0.69	1	0.04	4-A	21-M
1/4"	0.83	1.18	0.07	4-B	21-N
3/8"	0.91	1.52	0.11	4-C	21-O
1/2"	1.12	1.69	0.2	4-D	21-P
3/4"	1.24	1.83	0.29	4-E	21-Q
1"	1.48	2.09	0.52	4-F	21-R
1-1/4"	1.77	2.48	0.72	4-G	21-S
1-1/2"	1.83	2.72	0.92	4-H	21-T
2"	2.38	3.35	1.79	4-I	21-U
2-1/2"	2.62	4.13	2.73	4-J	21-V
3"	3.09	4.43	3.87	4-K	21-W
4"	3.82	5.04	6.07	4-L	21-X

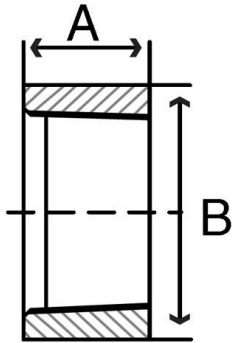
Full Couplings - 150# Threaded Pipe Fittings - Cast



Size (inches)	A	B	Weight (lbs)	304SS	316SS
1/8"	0.79	0.55	0.04	15-A	32-M
1/4"	1.06	0.73	0.07	15-B	32-N
3/8"	1.1	0.85	0.07	15-C	32-O
1/2"	1.4	1.05	0.16	15-D	32-P
3/4"	1.48	1.25	0.19	15-E	32-Q
1"	1.69	1.56	0.37	15-F	32-R
1-1/4"	1.89	1.91	0.53	15-G	32-S
1-1/2"	1.89	2.17	0.65	15-H	32-T
2"	2.2	2.62	0.99	15-I	32-U
2-1/2"	2.56	3.33	2.07	15-J	32-V
3"	2.8	3.96	2.77	15-K	32-W
4"	3.27	5.1	5.11	15-L	32-X

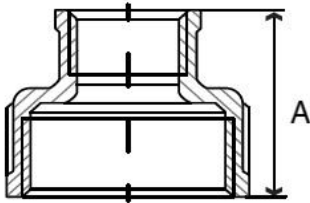
**All dimensions are for reference only and subject to change.

Half Couplings - 150# Threaded Pipe Fittings - Cast

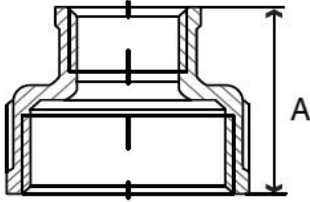


Size (inches)	A	B	Weight (lbs)	304SS	316SS
1/8"	0.43	0.55	0.04	17-A	34-M
1/4"	0.51	0.73	0.07	17-B	34-N
3/8"	0.55	0.85	0.07	17-C	34-O
1/2"	0.71	1.05	0.16	17-D	34-P
3/4"	0.77	1.25	0.19	17-E	34-Q
1"	0.83	1.56	0.37	17-F	34-R
1-1/4"	0.94	1.91	0.53	17-G	34-S
1-1/2"	0.94	2.17	0.65	17-H	34-T
2"	1.1	2.62	0.99	17-I	34-U
5-1/2"	1.3	3.33	2.07	17-J	34-V
3"	1.42	3.96	2.77	17-K	34-W
4"	1.65	5.1	5.11	17-L	34-X

Reducing Couplings - 150# Threaded Pipe Fittings - Cast



Size (inches)	A	Weight (lbs)	304SS	316SS
1/4 x 1/8	1.12	0.07	13-B	30-N
3/8 x 1/8	1.59	0.13	13-CA	30-OM
3/8 x 1/4	1.59	0.15	13-C	30-O
1/2 x 1/8	1.75	0.16	13-DA	30-PM
1/2 x 1/4	1.75	0.18	13-DB	30-PN
1/2 x 3/8	1.75	0.2	13-D	30-P
3/4 x 1/8	1.75	0.21	13-EA	30-QM
3/4 x 1/4	1.75	0.21	13-EB	30-QN
3/4 x 3/8	1.75	0.23	13-EC	30-QO
3/4 x 1/2	1.75	0.26	13-E	30-Q
1 x 1/8	1.97	0.35	13-FA	30-RM
1 x 1/4	1.97	0.36	13-FB	30-RN
1 x 3/8	1.97	0.37	13-FC	30-RO
1 x 1/2	1.97	0.36	13-FD	30-RP
1 x 3/4	1.97	0.42	13-F	30-R
1-1/4 x 1/8	1.97	0.45	--	--
1-1/4 x 1/4	1.97	0.51	--	--

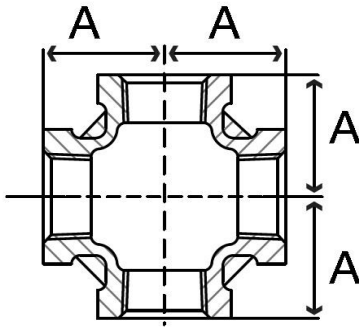


Reducing Couplings Cont'd				
Size (inches)	A	Weight (lbs)	304SS	316SS
1-1/4 x 3/8	1.97	0.48	--	--
1-1/4 x 1/2	1.97	0.51	13-GD	30-SP
1-1/4 x 3/4	1.97	0.53	13-GE	30-SQ
1-1/4 x 1	1.97	0.62	13-G	30-S
1-1/2 x 1/8	2.26	0.59	--	--
1-1/2 x 1/4	2.26	0.59	--	--
1-1/2 x 3/8	2.26	0.62	--	--
1-1/2 x 1/2	2.26	0.61	13-HD	30-TP
1-1/2 x 3/4	2.26	0.66	13-HE	30-TQ
1-1/2 x 1	2.26	0.7	13-HF	30-TR
1-1/2 x 1-1/4	2.26	0.75	13-H	30-T
2 x 1/8	2.64	0.99	--	--
2 x 1/4	2.64	0.93	--	--
2 x 3/8	2.64	0.96	--	--
2 x 1/2	2.64	0.98	13-ID	30-UP
2 x 3/4	2.64	1.03	13-IE	30-UQ
2 x 1	2.64	1.07	13-IF	30-UR
2 x 1-1/4	2.64	1.12	13-IG	30-US
2 x 1-1/2	2.64	1.13	13-I	30-U
2-1/2 x 1/2	2.95	1.68	--	--
2-1/2 x 3/4	2.95	1.6	--	--
2-1/2 x 1	2.95	1.68	13-JF	30-VR
2-1/2 x 1-1/4	2.95	1.73	13-JG	30-VS
2-1/2 x 1-1/2	2.95	1.78	13-JH	30-VT
2-1/2 x 2	2.95	1.92	13-J	30-V
3 x 3/4	3.27	2.71	--	--
3 x 1	3.27	2.68	13-KF	30-WR
3 x 1-1/4	3.27	2.79	13-KG	30-WS
3 x 1-1/2	3.27	2.73	13-KH	30-WT
3 x 2	3.27	2.84	13-KI	30-WU
3 x 2-1/2	3.27	3.1	13-K	30-W
4 x 1	3.82	4.73	13-LF	30-XR
4 x 1-1/2	3.82	4.86	13-LH	30-XT
4 x 2	3.82	5.03	13-LI	30-XU
4 x 2-1/2	3.82	5.13	13-LJ	30-XV
4 x 3	3.82	5.56	13-L	30-X

**All dimensions are for reference only and subject to change.

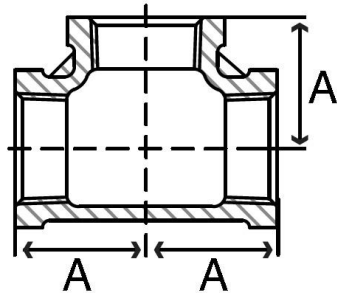
KEEP YOUR OPERATION FLOWING SMOOTHLY WITH BFO!
 BUYFITTINGSONLINE.COM | 1.800.569.0810 | BFO@QMCTECHNOLOGIES.COM

Crosses - 150# Threaded Pipe Fittings - Cast



Size (inches)	A	Weight (lbs)	304SS	316SS
1/8"	0.71	0.11	3-A	20-M
1/4"	0.77	0.18	3-B	20-N
3/8"	0.94	0.31	3-C	20-O
1/2"	1.16	0.43	3-D	20-P
3/4"	1.26	0.62	3-E	20-Q
1"	1.44	1.05	3-F	20-R
1-1/4"	1.73	1.49	3-G	20-S
1-1/2"	1.91	1.9	3-H	20-T
2"	2.24	3.04	3-I	20-U
2-1/2"	2.7	5.44	3-J	20-V
3"	3.09	7.32	3-K	20-W
4"	3.82	11.34	3-L	20-X

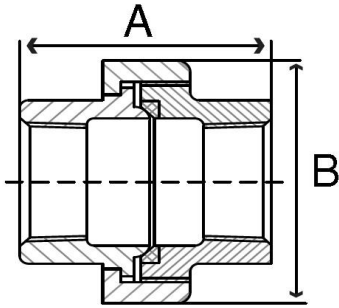
Tees - 150# Threaded Pipe Fittings - Cast



Size (inches)	A	Weight (lbs)	304SS	316SS
1/8"	0.71	0.09	2-A	19-M
1/4"	0.77	0.11	2-B	19-N
3/8"	0.94	0.18	2-C	19-O
1/2"	1.16	0.29	2-D	19-P
3/4"	1.26	0.46	2-E	19-Q
1"	1.44	0.68	2-F	19-R
1-1/4"	1.73	1.06	2-G	19-S
1-1/2"	1.91	1.39	2-H	19-T
2"	2.24	1.97	2-I	19-U
2-1/2"	2.7	4.54	2-J	19-V
3"	3.09	6.26	2-K	19-W
4"	3.82	9.43	2-L	19-X

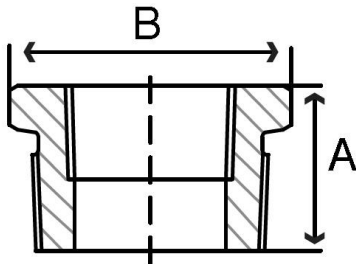
*All dimensions are for reference only and subject to change.

Unions - 150# Threaded Pipe Fittings - Cast

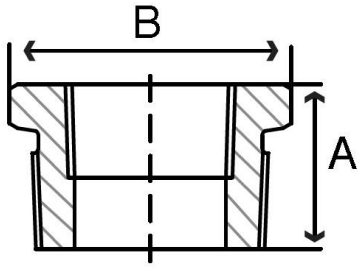


Size (inches)	A	B	Weight (lbs)	304SS	316SS
1/8"	1.44	1.14	0.22	6-A	23-M
1/4"	1.44	1.14	0.19	6-B	23-N
3/8"	1.48	1.42	0.3	6-C	23-O
1/2"	1.63	1.61	0.37	6-D	23-P
3/4"	1.85	1.93	0.53	6-E	23-Q
1"	1.97	2.28	0.85	6-F	23-R
1-1/4"	2.05	2.68	1.13	6-G	23-S
1-1/2"	2.28	3.03	1.56	6-H	23-T
2"	2.48	3.62	2.37	6-I	23-U
2-1/2"	2.89	4.29	3.81	6-J	23-V
3"	3.54	4.92	5.34	6-K	23-W
4"	3.94	6.18	8.6	6-L	23-X

Hex Bushings - 150# Threaded Pipe Fittings - Cast



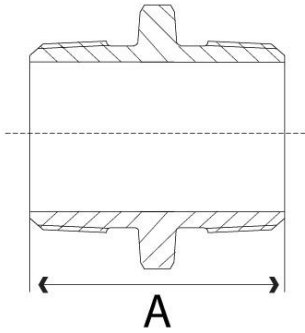
Size (inches)	A	B	Weight (lbs)	304SS	316SS
1/4 x 1/8	0.89	0.69	0.04	9-A	26-M
3/8 x 1/8	0.91	0.87	0.07	9-BA	26-NM
3/8 x 1/4	0.91	0.87	0.05	9-B	26-N
1/2 x 1/8	0.99	1	0.09	9-CA	26-OM
1/2 x 1/4	0.99	1	0.09	9-CB	26-ON
1/2 x 3/8	0.99	1	0.05	9-C	26-O
3/4 x 1/8	1.02	1.24	0.16	9-DA	26-PM
3/4 x 1/4	1.02	1.24	0.15	9-DB	26-PN
3/4 x 3/8	1.02	1.24	0.15	9-DC	26-PO
3/4 x 1/2	1.02	1.24	0.13	9-D	26-P
1 x 1/8	1.3	1.52	0.26	9-EA	26-QM
1 x 1/4	1.3	1.52	0.25	9-EB	26-QN
1 x 3/8	1.3	1.52	0.24	9-EC	26-QO
1 x 1/2	1.3	1.52	0.22	9-ED	26-QP
1 x 3/4	1.3	1.52	0.17	9-E	26-Q
1-1/4 x 1/8	1.3	1.81	0.35	9-FA	26-RM
1-1/4 x 1/4	1.3	1.81	0.36	9-FB	26-RN
1-1/4 x 3/8	1.3	1.81	0.35	9-FC	26-RO
1-1/4 x 1/2	1.3	1.81	0.35	9-FD	26-RP



Hex Bushings Cont'd					
Size (inches)	A	B	Weight (lbs)	304SS	316SS
1-1/4 x 3/4	1.3	1.81	0.28	9-FE	26-RQ
1-1/4 x 1	1.3	1.81	0.26	9-F	26-R
1-1/2 x 1/4	1.38	2.03	0.52	9-GB	26-SN
1-1/2 x 3/8	1.38	2.03	0.52	9-GC	26-SO
1-1/2 x 1/2	1.38	2.03	0.51	9-GD	26-SP
1-1/2 x 3/4	1.38	2.03	0.49	9-GE	26-SQ
1-1/2 x 1	1.38	2.03	0.45	9-GF	26-SR
1-1/2 x 1-1/4	1.38	2.03	0.34	9-G	26-S
2 x 1/4	1.42	2.46	0.77	9-HB	26-TN
2 x 3/8	1.42	2.46	0.8	9-HC	26-TO
2 x 1/2	1.42	2.46	0.77	9-HD	26-TP
2 x 3/4	1.42	2.46	0.75	9-HE	26-TQ
2 x 1	1.42	2.46	0.77	9-HF	26-TR
2 x 1-1/4	1.93	3.15	0.7	9-HG	26-TS
2 x 1-1/2	1.93	3.15	0.57	9-H	26-T
2-1/2 x 1/2	1.93	3.15	1.26	9-HI	26-UP
2-1/2 x 3/4	1.93	3.15	1.32	9-IE	26-UQ
2-1/2 x 1	1.93	3.15	1.4	9-IF	26-UR
2-1/2 x 1-1/4	1.93	3.15	1.4	9-IG	26-US
2-1/2 x 1-1/2	1.93	3.15	1.23	9-IH	26-UT
2-1/2 x 2	1.93	3.15	0.99	9-I	26-U
3 x 1/2	1.95	3.76	2.12	9-JD	26-VP
3 x 3/4	1.95	3.76	2.08	9-JE	26-VQ
3 x 1	1.95	3.76	2.17	9-JF	26-VR
3 x 1-1/4	1.95	3.76	2.2	9-JG	26-VS
3 x 1-1/2	1.95	3.76	2.1	9-JH	26-VT
3 x 2	1.95	3.76	1.9	9-JI	26-VU
3 x 2-1/2	1.95	3.76	1.61	9-J	26-V
4 x 1	2.01	4.74	3.64	9-KF	26-WR
4 x 1-1/4	2.01	4.74	3.5	9-KG	26-WS
4 x 1-1/2	2.01	4.74	3.61	9-KH	26-WT
4 x 2	2.01	4.74	3.52	9-KI	26-WU
4 x 2-1/2	2.01	4.74	3.4	9-KJ	26-WV
4 x 3	2.01	4.74	2.83	9-K	26-W

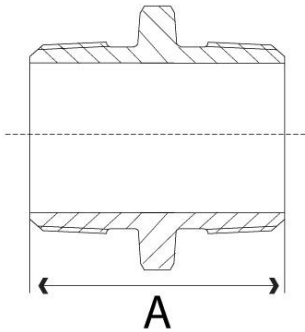
*All dimensions are for reference only and subject to change.

Hex Nipples - 150# Threaded Pipe Fittings - Cast



Size (inches)	A	Weight (lbs)	304SS	316SS
1/8"	1.3	0.02	10-A	27-M
1/4"	1.3	0.04	10-B	27-N
3/8"	1.38	0.08	10-C	27-O
1/2"	1.67	0.1	10-D	27-P
3/4"	1.81	0.1	10-E	27-Q
1"	1.97	0.3	10-F	27-R
1-1/4"	2.28	0.4	10-G	27-S
1-1/2"	2.36	0.6	10-H	27-T
2"	2.7	0.9	10-I	27-U

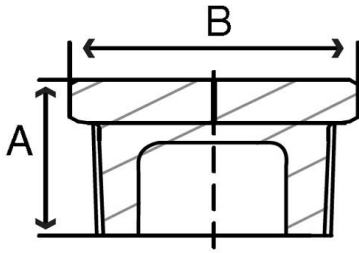
Reducing Hex Nipples - 150# Threaded Pipe Fittings - Cast



Size (inches)	A	Weight (lbs)	304SS	316SS
1/4" x 1/8"	1.3	0.04	40-B	50-N
3/8" x 1/4"	1.38	0.08	40-C	50-O
1/2" x 3/8"	1.67	0.1	40-D	50-P
3/4" x 1/2"	1.81	0.1	40-E	50-Q
1" x 3/4"	1.97	0.3	40-F	50-R
1-1/4" x 1"	2.28	0.4	40-G	50-S
1-1/2" x 1-1/4"	2.36	0.6	40-H	50-T
2" x 1-1/2"	2.7	0.9	40-I	50-U

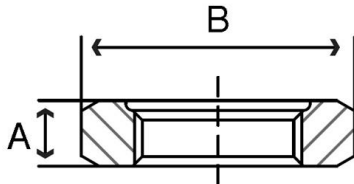
*All dimensions are for reference only and subject to change.

Hex Head Plugs - 150# Threaded Pipe Fittings - Cast



Size (inches)	A	B	Weight (lbs)	304SS	316SS
1/8"	0.71	0.55	0.04	8-A	25-M
1/4"	0.91	0.67	0.05	8-B	25-N
3/8"	0.94	0.83	0.06	8-C	25-O
1/2"	1.06	1.02	0.1	8-D	25-P
3/4"	1.1	1.26	0.16	8-E	25-Q
1"	1.34	1.5	0.24	8-F	25-R
1-1/4"	1.4	1.81	0.34	8-G	25-S
1-1/2"	1.44	2.05	0.48	8-H	25-T
2"	1.46	2.56	0.72	8-I	25-U
2-1/2"	1.91	3.17	1.35	8-J	25-V
3"	1.99	3.76	1.92	8-K	25-W
4"	2.03	4.76	2.7	8-L	25-X

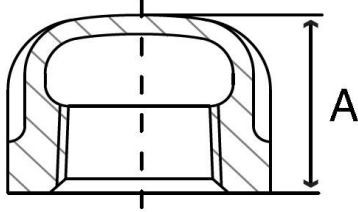
Hex Lock Nuts – NPS Straight Threaded - 150# Threaded Pipe Fittings - Cast



Size (inches)	A	B	Weight (lbs)	304SS	316SS
1/8"	0.43	0.55	0.04	BF062-700	BF063-700
1/4"	0.51	0.73	0.07	BF062-701	BF063-701
3/8"	0.55	0.85	0.07	BF062-702	BF063-702
1/2"	0.71	1.05	0.16	BF062-703	BF063-703
3/4"	0.77	1.25	0.19	BF062-704	BF063-704
1"	0.83	1.56	0.37	BF062-705	BF063-705
1-1/4"	0.94	1.91	0.53	BF062-706	BF063-706
1-1/2"	0.94	2.17	0.65	BF062-707	BF063-707
2"	1.1	2.62	0.99	BF062-708	BF063-708
2-1/2"	1.3	3.33	2.07	BF062-709	BF063-709
3"	1.42	3.96	2.77	BF062-710	BF063-710
4"	1.65	5.1	5.11	BF062-711	BF063-711

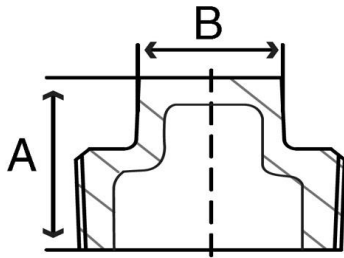
*All dimensions are for reference only and subject to change.

Regular Round Caps - 150# Threaded Pipe Fittings - Cast



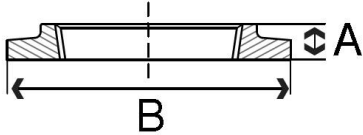
Size (inches)	A	Weight (lbs)	304SS	316SS
1/8"	0.61	0.03	12-A	29-M
1/4"	0.87	0.07	12-B	29-N
3/8"	0.96	0.12	12-C	29-O
1/2"	1.10	0.16	12-D	29-P
3/4"	1.10	0.23	12-E	29-Q
1"	1.28	0.36	12-F	29-R
1-1/4"	1.30	0.53	12-G	29-S
1-1/2"	1.42	0.64	12-H	29-T
2"	1.48	1.01	12-I	29-U
2-1/2"	1.71	1.61	12-J	29-V
3"	1.89	2.90	12-K	29-W
4"	2.03	4.95	12-L	29-X

Square Head Plugs - 150# Threaded Pipe Fittings - Cast



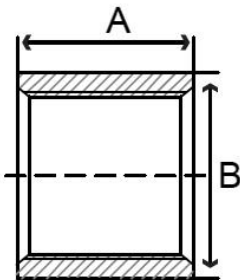
Size (inches)	A	B	Weight (lbs)	304SS	316SS
1/8"	0.71	0.28	0.02	7-A	24-M
1/4"	0.77	0.35	0.03	7-B	24-N
3/8"	0.79	0.38	0.06	7-C	24-O
1/2"	0.93	0.51	0.05	7-D	24-P
3/4"	1.18	0.72	0.13	7-E	24-Q
1"	1.30	0.75	0.16	7-F	24-R
1-1/4"	1.54	0.91	0.27	7-G	24-S
1-1/2"	1.57	1.04	0.33	7-H	24-T
2"	1.77	1.16	0.57	7-I	24-U
2-1/2"	1.89	1.57	0.80	7-J	24-V
3"	2.15	1.75	1.19	7-K	24-W
4"	2.36	2.34	2.12	7-L	24-X

Weld Spuds - 150# Threaded Pipe Fittings - Cast



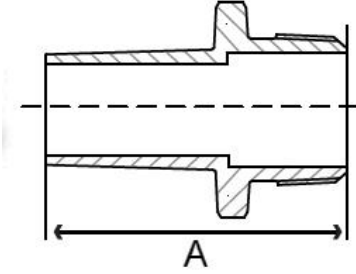
Size (inches)	A	B	Weight (lbs)	316SS
1/4"	0.50	1.50	0.05	BFOS3616WS002
3/8"	0.50	1.62	0.06	BFOS3616WS003
1/2"	0.59	1.75	0.1	BFOS3616WS004
3/4"	0.65	1.93	0.2	BFOS3616WS006
1"	0.78	2.18	0.2	BFOS3616WS010
1-1/4"	0.75	2.68	0.3	BFOS3616WS012
1-1/2"	0.87	3.00	0.4	BFOS3616WS014
2"	0.93	3.50	0.6	BFOS3616WS020
2-1/2"	1.00	4.06	1.1	BFOS3616WS024
3"	1.00	4.62	1.3	BFOS3616WS030
4"	1.12	5.81	2.6	BFOS3616WS040
1/4"	0.50	1.50	0.05	BFOS3616WS002

304SS Recessed Drop Couplings - 150# Threaded Pipe Fittings - Cast



Size (inches)	A	B	Weight (lbs)	304SS
1"	2.5	1.67	0.7	BF29DC14010
1-1/4"	2.5	2.03	0.8	BF29DC14012
1-1/2"	2.5	2.31	1	BF29DC14014
2"	2.5	2.75	1.2	BF29DC14020

King Hose Nipples - 150# Threaded Pipe Fittings - Cast



Size (inches)	A	Weight (lbs)	304SS	316SS
1/8"	1.57	0.02	--	33-M
1/4"	1.77	0.05	16-B	33-N
3/8"	1.97	0.07	16-C	33-O
1/2"	2.36	0.1	16-D	33-P
3/4"	2.56	0.2	16-E	33-Q
1"	2.95	0.3	16-F	33-R
1-1/4"	3.35	0.5	16-G	33-S
1-1/2"	3.54	0.9	16-E	33-T
2"	3.94	1.3	16-F	33-U
2-1/2"	4.72	1.7	16-H	33-V
3"	5.12	2	16-I	33-W
4"	5.51	4.6	16-J	33-X